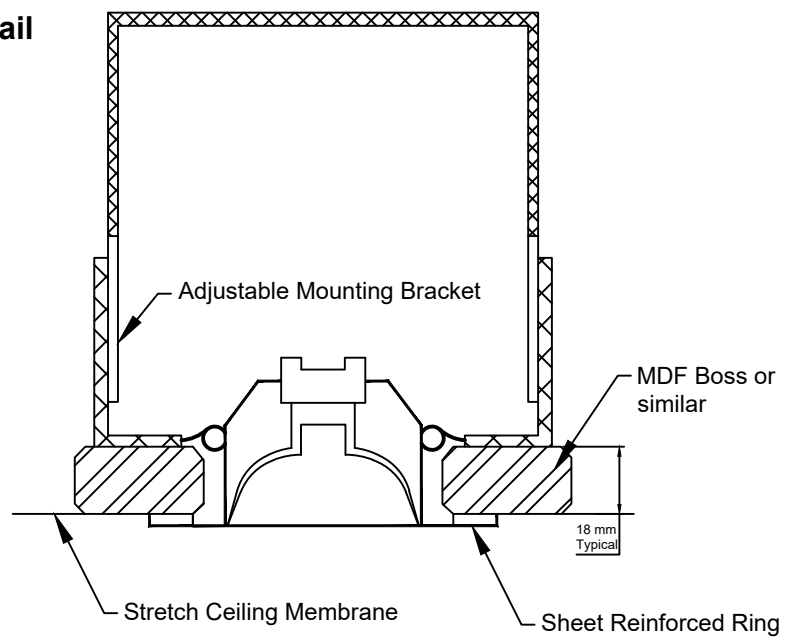


6 1 5 1 4 3 1 2 1 1

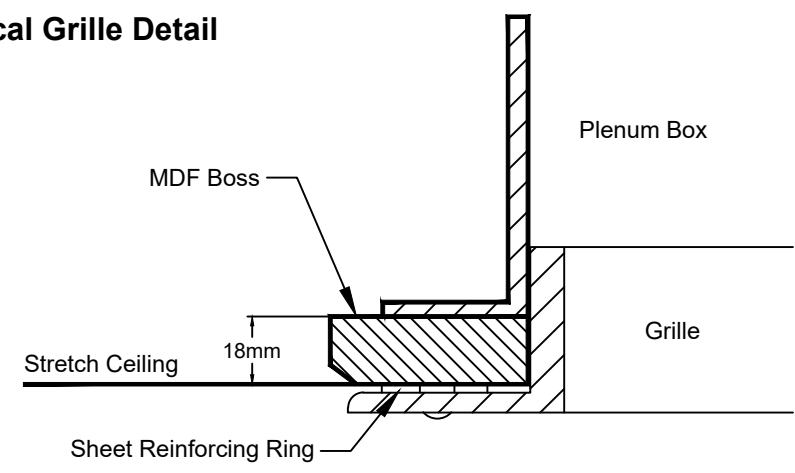
D

D

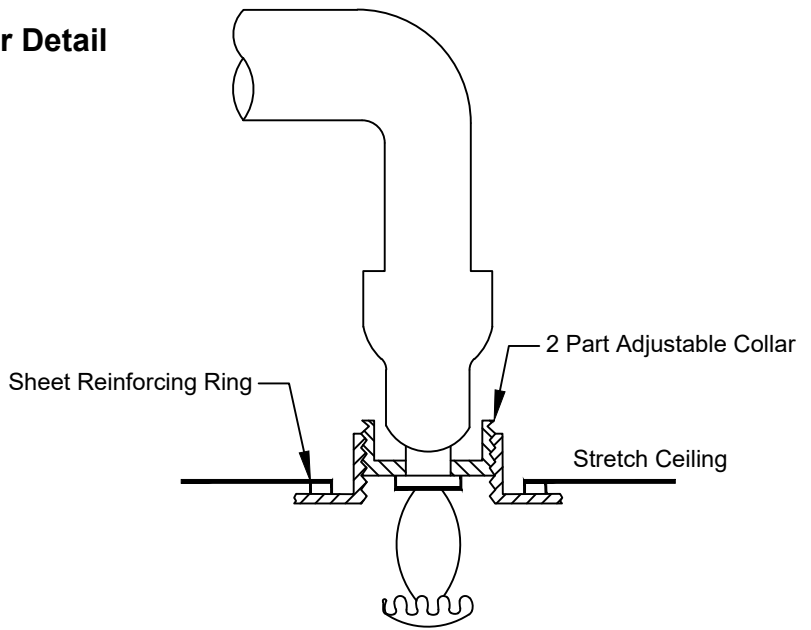
Typical Downlight Detail



Typical Grille Detail



Typical Sprinkler Detail



C

C

B

B

A

A

Designed by	Checked by	Approved by	Date	Date	
				07/04/26	
Imperial Stretch Ceilings			Aperture Detail Drawings		
				Edition	Sheet
					1 / 1

6 1 5 1 4 3 1 2 1 1